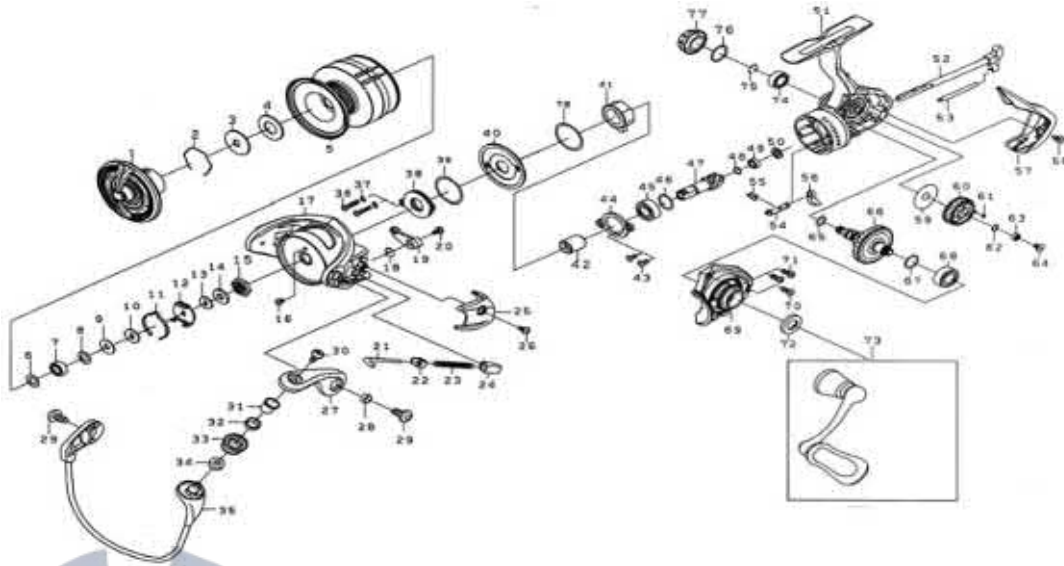


# FGLT1000D



Key No.	Part No.	Part Name.	Key No.	Part No.	Part Name.
1	Q37-6801	DRAG KNOB	40	Q26-6601	MAGSEALED CAP
2	Q34-6101	DRAG RETAINER	41	J38-8401	ROLLER CLUTCH
3	J54-7001	DRAG DISC WASHER	42	J00-1403	ROLLER CLUTC SLEEVE
4	J54-6801	DRAG WASHER	43	Q12-6201	PINION GEAR BB PLATE SCREW
2-5	Q40-2201	SPOOL ASSEMBLY	44	Q19-5601	PINION GEAR BB PLATE
6	Q38-2701	SPOOL WASHER (A)	45	G46-7302	PINION BALL BEARING (A)
7	E33-2501	SPOOL BALL BEARING	46	375-8500	BALL BEARING WASHER (A)
8	B41-1706	SPOOL WASHER (B)	47	Q37-5701	PINION GEAR
9	E39-8000	SPOOL WASHER ©	48	H93-1701	PINION SPRING WASHER (B)
10	Q34-8502	SPOOL WASHER (D)	49	H95-9601	PINION BALL BEARING (B)
11	J52-5101	CLICK LEAF SPRING	50	J38-7701	PINION COLLAR
12	J54-6201	CLICK LEAF SPRING HOLDER	51	Q40-1901	BODY
13	Q34-4001	CLICK LEAF SPRING HOLDER WASHER	52	Q37-5301	MAIN SHAFT
14	H98-6901	ROTOR NUT PACKING	53	Q11-9104	OSC SUPPORT POST
15	Q17-7001	ROTOR NUT	54	Q11-8101	A/R CAM
16	H02-2701	ROTOR NUT SCREW	55	H69-7801	A/R CAM SPRING
17	Q13-9510	ROTOR	56	Q11-8001	A/R CAM LEVER
18	H44-3301	BAIL KICK LEVER SPRING	57	Q37-6201	REAR COVER
19	Q13-9601	BAIL KICK LEVER	58	Q34-2901	REAR COVER SCREW
20	H41-7701	KICK LEVER SCREW	59	H60-7902	OSC GEAR WASHER
21	Q13-9801	BAIL ARM LEVER SHAFT	60	Q37-5201	OSCILLATING GEAR
22	H57-6101	BAIL ARM LEVER SHAFT PLATE	61	H77-0601	OSC GEAR O'RING
23	H44-2401	BAIL ARM LEVER SHAFT SPRING	62	H12-9200	OSC GEAR BEARING WASHER
24	Q12-1501	BAIL ARM LEVER SHAFT HOLDER	63	G46-9005	OSC GEAR BALL BEARING
25	Q14-6501	BAIL SPRING COVER	64	Q12-6101	OSC GEAR BB SCREW
26	Q34-2901	BAIL SPRING COVER SCREW	65	G67-0501	DRIVE GEAR O'RING
27	Q12-1607	BAIL ARM LEVER	66	Q37-5801	DRIVE GEAR
28	Q12-1701	BAIL ARM LEVER COLLAR	67	375-8500	DRIVE GEAR WASHER
29	Q34-3401	BAIL ARM LEVER SCREW	68	G46-7302	DRIVE GEAR BALL BEARING (A)
30	G19-5602	LINE ROLLER SCREW	69	Q40-2101	BODY COVER
31	G19-5501	LINE ROLLER COLLAR (A)	70	Q34-2701	BODY COVER SCREW (A)
32	G22-0701	LINE ROLLER COLLAR (B)	71	Q34-2601	BODY COVER SCREW
33	J08-9901	LINE ROLLER	72	J10-0201	HANDLE PACKING
34	Q20-3401	LINE COLLAR COLLAR ©	73	Q40-2501	HANDLE ASSEMBLY
35	Q13-9901	BAIL ASSEMBLY	74	G52-2706	DRIVE GEAR BALL BEARING (B)
36	G83-7101	MAGSEALED PLATE SCREW	75	G47-2401	DRIVE GEAR BALL BEARING RETAINER
37	375-4102	MAGSEALED PLATE SCREW WASHER	76	G16-2401	HANDLE CAP O'RING
38	J68-8201	MAGSEALED PLATE	77	Q34-5101	HANDLE CAP
39	J35-4801	MAGSEALED PLATE O'RING	78	J63-9900	ROLLER CLUTCH WASHER